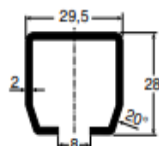


1. AKAPP

kompatibilno sa NIKO profilima

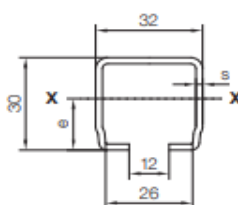
Profile R150

- Standard length : 4 m (subdivisions possible)
- Material : zinc plated steel
- Weight : 1,4 kg/m
- Load capacity : 80 kg/m (support distance ≤ 1 m)
- Special executions : blank, zinc passivated or stainless steel



2. WAMPFLER i SWF

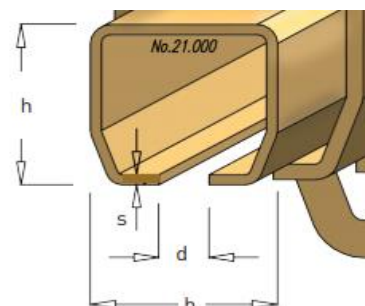
kompatibilno sa GIOVENZANA profilima



Order No.	Material	Length [mm]	Thickness s [mm]	Static Values			Weight [kg/m]				
				I_x [cm ⁴]	W_x [cm ³]	e [mm]					
023200-6	sendzimir galvanized steel	6000	2	2.42	1.45	16.70	1.56				
023200-4		4000									
023201-6		6000	1.5					1.90	1.10	17.10	1.17
023201-4		4000									

3. NIKO

NIKO Profile No.	Dimensions			
	h [mm]	b [mm]	d [mm]	s [mm]
21.000	28	30	8	1,75



4. GIOVENZANA



C-Rail bar

- Material: galvanized steel
- Length: 4 m
- Weight: 5 kg

30607001

